



# Phase Rotation/Loss Monitor - PRM2

## Application

The Bramco Phase Rotation/Loss Monitor module provides phase rotation, phase loss of a 3 phase circuit. Suitable for Neutral referred circuits.

## Features

The PRM2 is a compact, panel mounted, low power, three phase monitor device to provide phase rotation and phase loss monitoring.

Separate voltage free changeover relay contacts provided for:

- PV Phases OK
- CW Phases Rotation
- CCW Phase Rotation

The three line/load phases and Earth to be monitored are connected to the module.

Suitable for system voltages:

- 415/1100vAC
- Powered from 110vAC

Remote Display LED's

- Phase Rotation CW
- Phase Rotation CCW
- Phase A, B, C

## Easy Installation

- Mount the PR monitor close to the point of connection.
- Connect the 3 phase wires and the Earth wire.
- Connect the control voltage.

The PR Module is now ready to operate.

## Operation

If the 3 phases are powered, the phase OK contact will close. Also either CW or CCW contact will close.

Loss of any phase will open Phase OK and Phase Rotation contacts. Phase LEDs show any phase missing.

## Remote Display

### Dimensions

50x51x17 (protrusion)  
Diameter 22mm cutout  
Depth - no restriction

Display lead length 2m

## Specifications

### System Voltage

415-1100v 50/60Hz

### Phase Voltage

240-700vAC

### AC Voltage

2000vAC 1 minute (Ph to E)

### Phase Loading to Earth

6.8 meg Ohms AC/DC

### DC Voltage

2000vDC 1 minute (PH to E)

### Phase Loss

~210vAC to earth

### Operation Delay

Typical 3 seconds

### Contacts

3x5A 240vAC 30vA change over

### PRM Power Input

110vAC 50/60Hz

### Operating Temperature

0-60°C

### Dimensions

100 x 110 x 75mm

### Material

High impact resistant polycarbonate

### Mounting

DinRail and Screw mounting

### Terminals

Cage screw terminals

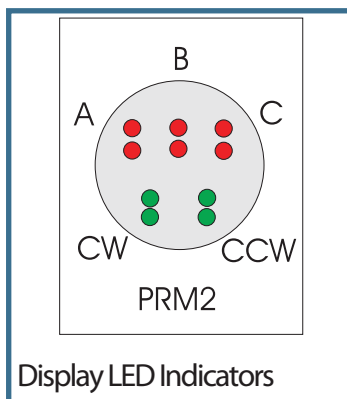
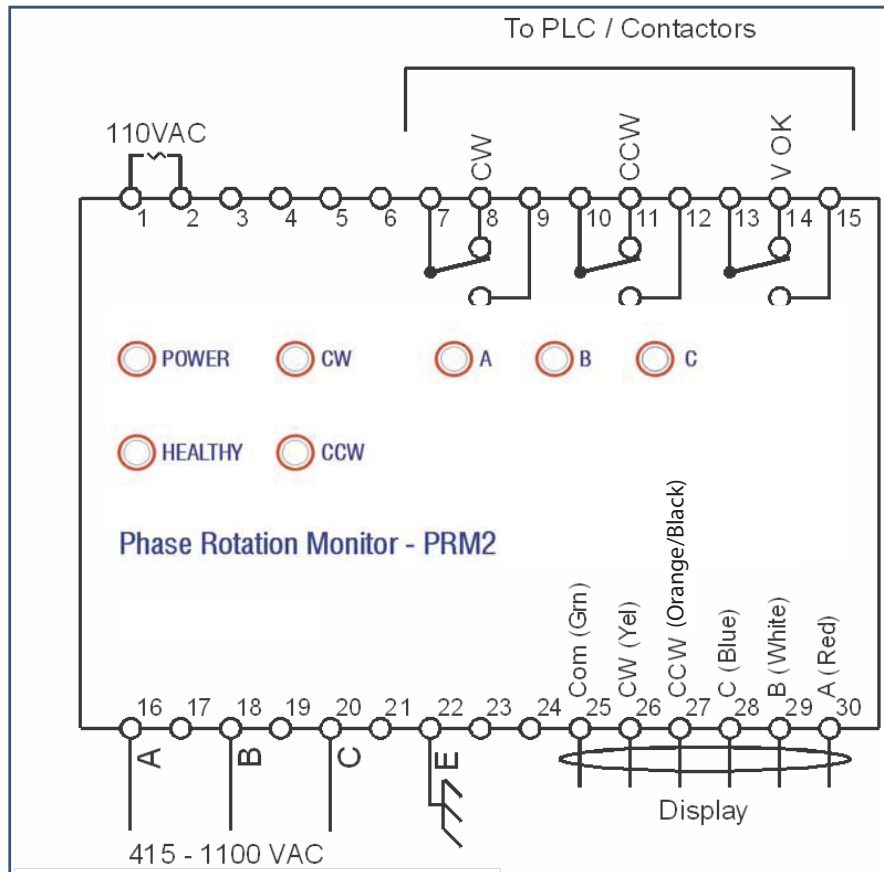
### Weight

500gm

## Ordering Information

PRM2 Module	A00954
PRD Indicator	A00955
PRM2 24-48vACDC	A01098





## Bramco Contacts

19 Aruma Place  
Cardiff, NSW 2285  
AUSTRALIA

Telephone +61 2 4954 4721  
Email [sales@bramco.com.au](mailto:sales@bramco.com.au)  
[www.bramco.com.au](http://www.bramco.com.au)