



Earth Leakage Earth Continuity ELEC Relay

Application

The Bramco ELEC Relay provides detection of Earth Fault Currents flowing in a power system and monitoring of the Earth Circuit in a supply cable by grounding the pilot core via a diode, polarised positive to earth.

Earth Leakage Offers:

- Easily configured latch or non-latch and Fail-safe or Non Fail-safe operation
- Easily adjustable trip time and current settings
- LED indication:
 - EL Warning - indicates the current exceeds the trip threshold
 - EL Trip
 - EL Latched - indicates the EL relay is latched
- External latch reset
- 2x Separate voltage free EL contacts
- May be used on limited/unlimited systems

Earth Continuity Offers:

- Easily configured latch or non latch and fixed Fail-safe operation
- LED indication
 - EC healthy
 - EC latch - indicates the EC relay is latched
- External latch reset
- 2x Separate voltage free EC

Additional Features:

- Diode termination to earth on pilot wire
- Operational 0-45 Ohms
- Remote mode for start and stop control via pilot wire

LED indication:

- Power – power healthy indication
- OC toroid – toroid connections open circuit
- Pilot open – pilot resistance above 45 Ohms
- Pilot short – pilot isolation resistance below 500 Ohms
- 4-20mA current loop into max 400 Ohms

Specifications:

Power Input

- 110vAC 50/60Hz
- Optional 240vAC 50/60Hz
- Optional 24-48vDC

Earth Leakage

- Current - 30 - 100mA or 50 - 500mA
- Trip Delay Time - 30 -100ms or 50 - 500ms

Earth Continuity

- Pilot Resistance - 0-45 Ohms
- Trip Delay - 100mS

Relay Contacts

- 1 x C/O
- 1 x N/O
- 5Amp 250vAC

Operating Temperature

- 0-40°C

Dimensions

- 150mmW x 75mmH x 110mmD

Material

- High impact resistant polycarbonate

Mounting

- DINrail or screw mounting

Bramco Contacts

Head Office

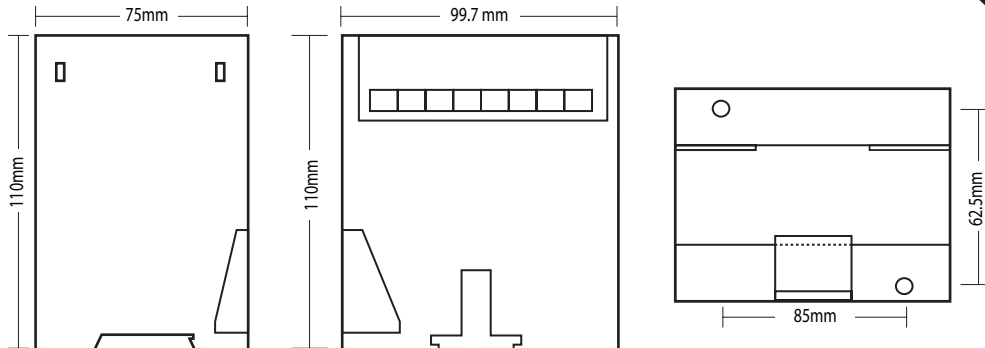
19 Aruma Place
Cardiff NSW 2285
AUSTRALIA

Telephone +61 2 4954 4721
Email sales@bramco.com.au



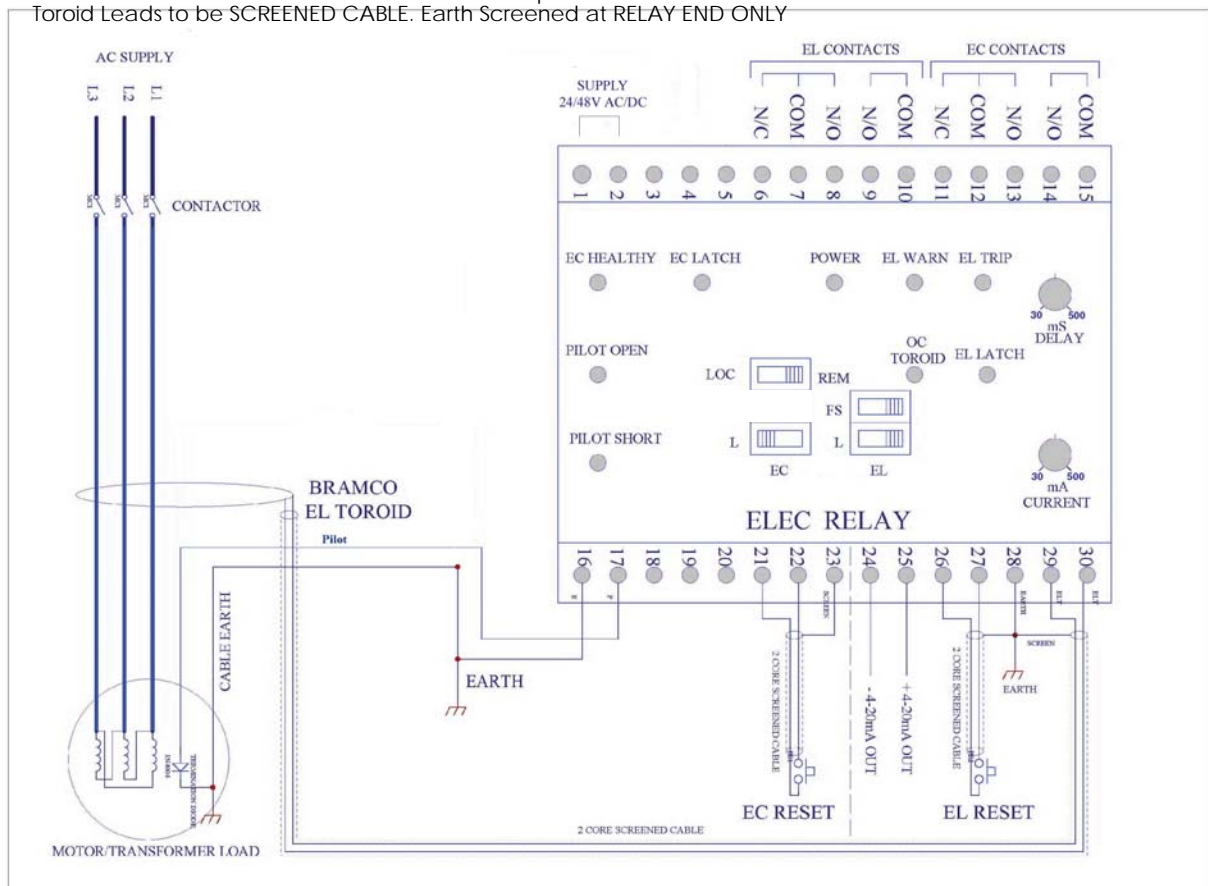


Outline and Mounting Hole Dimensions



Connection Details

Recommended Diode Termination IN4004 - 1 amp 400v
Toroid Leads to be SCREENED CABLE. Earth Screened at RELAY END ONLY



Ordering Information

Order Codes

- A00622B 500mA-500mS 110vAC/240vAC
- A00630B 500mA-500mS 24-48vAC/DC
- A00855B 100mA-100mS 110vAC
- A00878B 100mA-100mS 240vAC
- A00856B 100mA-100mS 24-48vAC/DC
- A01016B 500mA-500mS 240VAC