

# bramco

## ELECTRONICS

### Earth Leakage Toroid

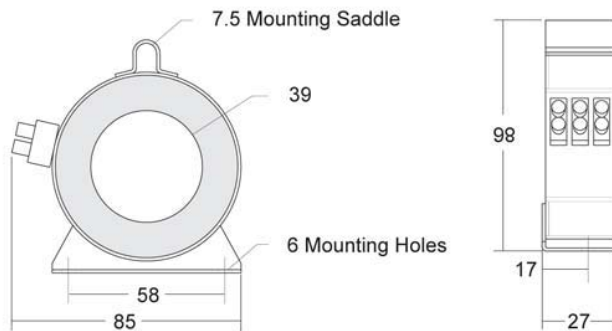


Bramco Electronics offers a range of precision Earth Leakage Toroids for use exclusively with the CPM range and individual relay range.

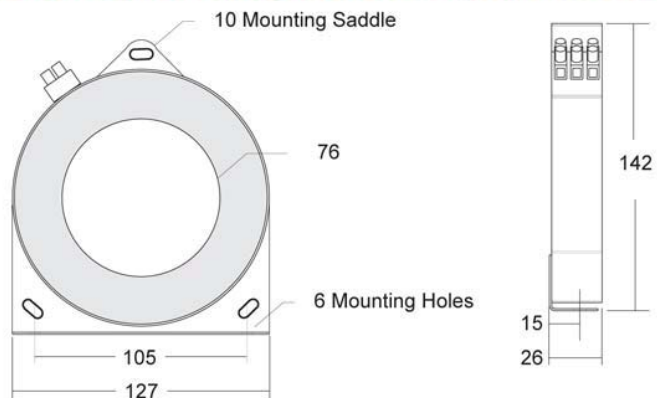
#### Bramco's range of relay accessories incorporates:

- Earth Leakage Toroids in various sizes
- I.S Isolation Barriers
- Current Transformers
- Mechanically Latching Relays
- Pilot Protection Units
- Remote Indication Displays
- 40 - 200mm Toroid Range: 100mA, 500mA, 1A, 2A, 5A etc
- 300mm Toroid Range: 1A, 2A, 5A, 20A only.

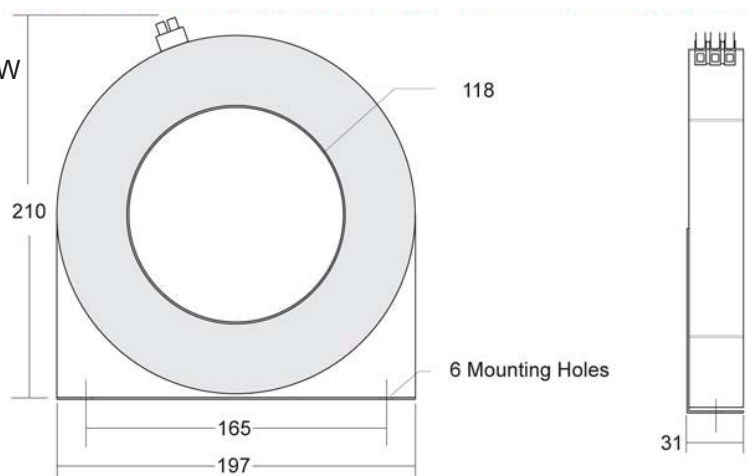
#### ELT 40 500mA - A00034 ELT 40 100mA - A00153



#### ELT 72 500mA - A00035



#### ELT 130 500mA - A00036



#### Bramco Contacts

**Head Office**  
Bramco Electronics  
ABN 49 327 604 798

Unit 2&3/2 Callistemon Close  
Warabrook NSW 2304  
PO Box 241 Hunter Region MC  
NSW 2310 AUSTRALIA

Telephone +61 2 4014 4444  
Facsimile +61 2 4967 4100  
Email sales@bramco.com.au

#### Distribution Locations Australia:

- |                       |                  |
|-----------------------|------------------|
| ■ Newcastle NSW       | ■ Wollongong NSW |
| ■ Cairns QLD          | ■ Brisbane QLD   |
| ■ Perth WA            | ■ Emerald QLD    |
| ■ Cumberland Park, SA |                  |

#### South Africa:

- Heidelberg - Emis Sales
- Delmas - Bramco South Africa

#### USA:

- Bland VA

BRAMCO ELECTRONICS Product Sheet

BRAMCO  
ELECTRONICS

ABN 49 327 604 798  
PO Box 241  
Hunter Region MC  
www.bramco.com.au

© Copyright Bramco Electronics  
Specifications subject to change without notice August 2011

# bramco

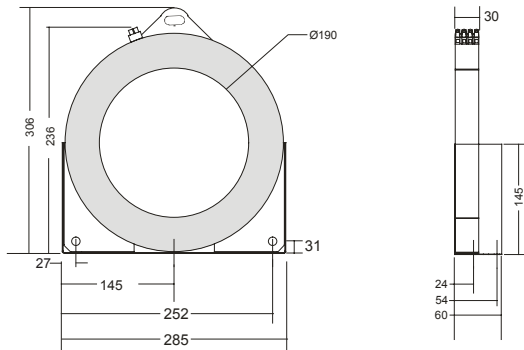
## ELECTRONICS

### Earth Leakage Toroid

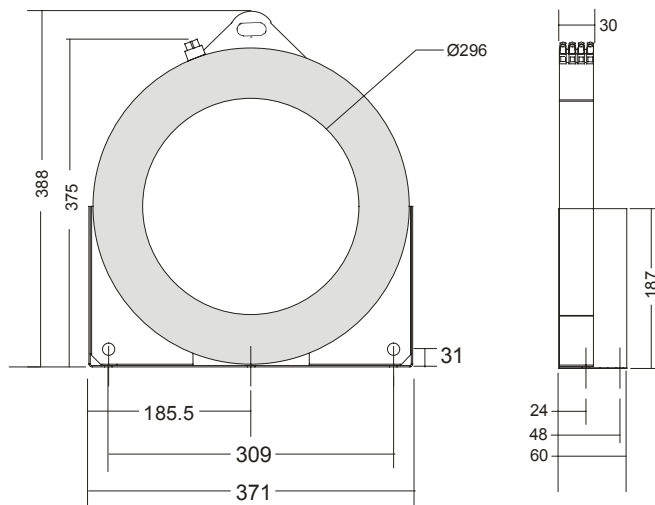


BRAMCO ELECTRONICS Product Sheet

#### ELT 200 500mA - A00037



#### ELT 300 1A - A00370



#### Conformances:

AS 2081; 12340 1988

#### Ordering Information

A00034	ELT 40 500mA
A00153	ELT 40 100mA
A00364	ELT 40 1A
A00580	ELT 40 2A
A00365	ELT 40 5A
A00371	ELT 40 20A
A00035	ELT 72 500mA
A00366	ELT 72 1A
A00581	ELT 72 2A
A01069	ELT 72 2.5A
A00293	ELT 72 5A
A00297	ELT 72 20A
A01064	ELT 72 50A
A00036	ELT 130 500mA
A00747	ELT 130 30-100mA
A00367	ELT 130 1A
A00582	ELT 130 2A
A00294	ELT 130 5A
A01086	ELT 130 10A
A00298	ELT 130 20A
A00037	ELT 200 500mA
A00368	ELT 200 1A
A00583	ELT 200 2A
A00295	ELT 200 5A
A00299	ELT 200 20A
A00370	ELT 300 1A
A00584	ELT 300 2A
A00296	ELT 300 5A
A00300	ELT 300 20A

Please contact Bramco or your local Distributor for your specific needs.

BRAMCO  
ELECTRONICS

ABN 49 327 604 798  
PO Box 241  
Hunter Region MC  
www.bramco.com.au

© Copyright Bramco Electronics  
Specifications subject to change without notice August 2011