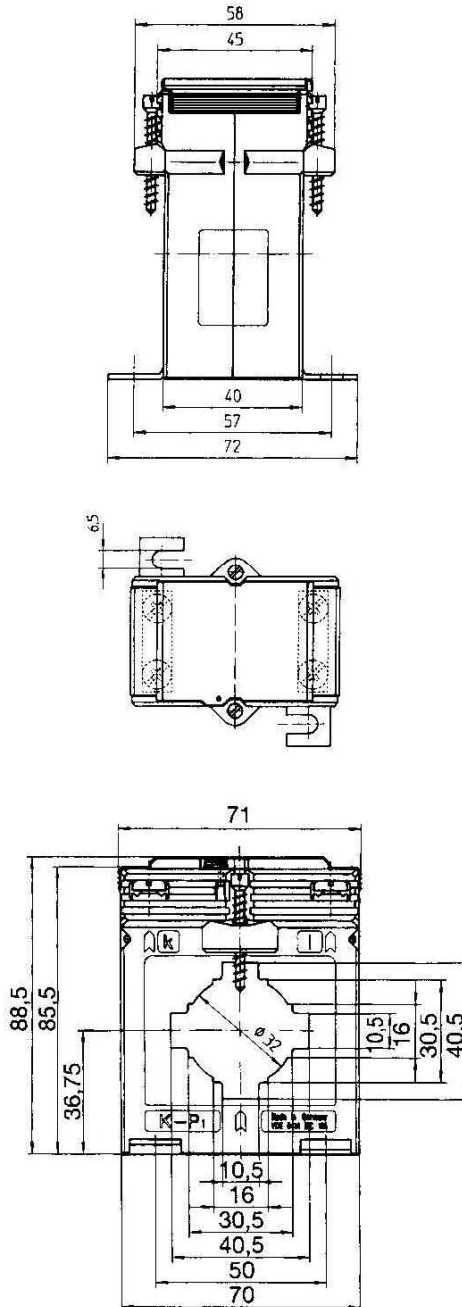


Current Transformers



BRAMCO ELECTRONICS Product Sheet



Specifications

Primary Conductor: 40 x 10mm
2 x 30 x 5mm

Round Conductor: Ø 32,0mm

Transformer width: 70mm

Ordering Information

T10006 Current Transformer 1000:1
T10004 Current Transformer 1000:5

Please contact Bramco or your local Distributor for your specific needs.

Bramco Contacts

Head Office
Bramco Electronics
ABN 49 327 604 798

Unit 2&3/2 Callistemon Close
Warabrook NSW 2304
PO Box 241 Hunter Region MC
NSW 2310 AUSTRALIA

Telephone +61 2 4014 4444
Facsimile +61 2 4967 4100
Email sales@bramco.com.au
www.bramco.com.au

Distributor Locations Australia:

- Newcastle NSW
- Wollongong NSW
- Cairns QLD
- Brisbane QLD
- Perth WA
- Emerald QLD

South Africa:

- Heidelberg - Emis Sales
- Delmas - Bramco South Africa

USA:

- Bland, VA

BRAMCO
ELECTRONICS

ABN 49 327 604 798
PO Box 241
Hunter Region MC
www.bramco.com.au

© Copyright Bramco Electronics
Specifications subject to change without notice January 2012