

## PROSAFE3

### Earth Continuity / Pilot Control / Earth Leakage Combination Relay - ECPCEL

#### Application:

Leaders in Innovative Protection Systems, Bramco's PROSAFE3 is compliant to latest statutory and industry standards, the PROSAFE3 provides next generation EL protection to latest VVVF drives and remote and/or local pilot control.

The PROSAFE3 Relay provides detection of Earth Fault Currents flowing in a power system and monitoring of the Earth Circuit in a supply cable by grounding the pilot core via a diode, polarised positive to earth.

#### Earth Leakage Offers:

- 16 bit microprocessor core.
- 50-60Hz /5-100Hz operation.
- Failsafe/Non-Failsafe operation.
- Latch/No Latch operation.
- EL Toroid open monitoring.
- Adjustable Trip Current.
- Adjustable Trip Delay Time.
- Status Leds for -
  - Trip, Warning, Frequency
  - Power/Open circuit toroid.
- Local/External EL latch reset.
- May be used on limited/unlimited neutral systems with matching Bramco ELT. (1000:T)
- Separate control contacts are provided.
- Analog Output: 4-20mA, 2-10V

#### Earth Continuity Offers:

- Easily configured latch or non latch and fixed Fail-safe operation.
- Status Leds for -
  - Power On, EC healthy, EC Open.
  - EC Short, Start Ready, Relay On.
- External latch reset.
- 2x Separate voltage free EC.

#### Additional Features:

- Diode termination to earth on pilot wire.
- Operational 0-45 Ohms settable.
- Remote mode for start and stop control via pilot wire.
- 4-20mA current loop into max 400 Ohms.
- Drop out time settable

#### Specifications:

##### Power Supply:

24-48V AC(50-60Hz)/DC 2VA.  
110-240V AC(50-60Hz)/DC 2VA.

##### Earth Leakage:

- Current 50 - 500mA
- Trip Delay Time 50 - 500ms

##### Earth Continuity:

- Pilot Resistance 5-45 Ohms Selectable
- Trip Delay 100mS - 500mS

##### Relay Contacts:

- 1 x C/O
- 1 x N/O
- 5Amp 250vAC

##### Operating Temperature:

- 0-60°C

##### Dimensions:

- 150mmW x 75mmH x 110mmD

##### Material:

- High impact resistant polycarbonate

##### Mounting:

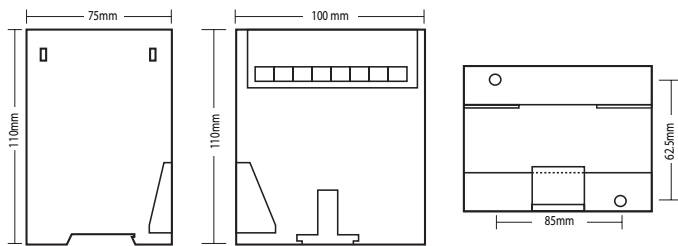
- DINrail or screw mounting



## PROSAFE3

Earth Continuity / Pilot Control / Earth Leakage Combination Relay - ECPCEL

### Outline and Mounting Hole Dimensions:



### Compliance:

AS/NZS 2081 - 2011: Pending  
Non Ex Certified

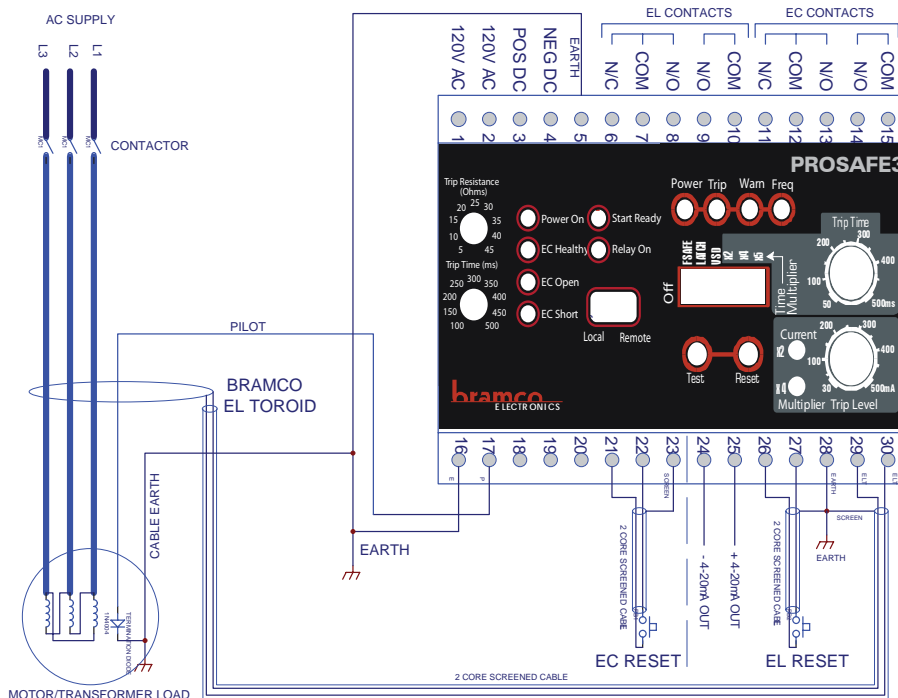
The PROSAFE3 comes with a minimum 2 year warranty.

### Ordering Information:

- A01241 PROSAFE3 500/500 110-240VAC
- A01251 PROSAFE3 500/500 24-48VAC/DC
- A01252 PROSAFE3 100/100 110-240VAC
- A01253 PROSAFE3 100/100 24-48VAC/DC

### Connection Details

Recommended Diode Termination IN4004 - 1 amp 400v  
Toroid Leads to be SCREENED CABLE. Earth Screened at RELAY END ONLY



### Ordering Information:

A01241 - PROSAFE3 500mA 500ms

### Bramco Contacts:

Head Office  
ABN 49 327 604 798

2 Callistemon Close  
Warabrook NSW 2304  
PO Box 241 Hunter Region MC  
NSW 2310 AUSTRALIA

Telephone +61 2 4014 4444  
Facsimile +61 2 4967 4100  
Email sales@bramco.com.au