



Earth Leakage Relay

Model i-AB with Extra Filter

Application

The Bramco Electronics Earth Leakage Relay i-AB, has been designed to detect Earth Fault Currents flowing in a power system.

The i-AB Offers:

- Extra filter with VVVF Drives
- Machine or power operated
- Latching/non-latching mode switch
- Fail safe or non-fail safe operation
- Adjustable time discrimination
- Adjustable trip current point
- LED indication of power on
- LED warning when the leakage current rises above the trip current set point
- Usage in conjunction with a precision toroidal current transformer
- Optional current loop available (4-20mA)
- LED indication when latched
- Optional voltage output (0-10v) on current loop model

Specifications

- Supply** - 110vAC 50/60Hz standard
- 240vAC 50/60Hz optional
- 24-48v AC/DC Optional
- Housing** - High Impact Poly Carbonate
- Voltage Tolerances**
- 30% to +20%
- Trip Current** - Adjustable from 30 to 500mA
- Optional 1A, 2A and 5Amp
- Trip Delay** - Adjustable from 30 to 500mSecs
- Optional 1secs, 2secs and 5secs
- Relay Contacts**
- 2 pole changeover 5A-240vAC
- Intrinsic safety rating 1A-440vAC
- Base Mounting** - DIN rail or screw down

Bramco Contacts

Head Office

Bramco Electronics
ABN 49 327 604 798

Unit 2&3/2 Callistemon Close
Warabrook NSW 2304
PO Box 241 Hunter Region MC
NSW 2310 AUSTRALIA

Telephone +61 2 4014 4444
Facsimile +61 2 4967 4100
Email sales@bramco.com.au
www.bramco.com.au

Distributor Locations Australia:

- Newcastle NSW
- Wollongong NSW
- Cairns QLD
- Brisbane QLD
- Perth WA
- Emerald

South Africa:

- Heidelberg - Emis Sales
- Delmas - Bramco South Africa

USA:

Bland, VA

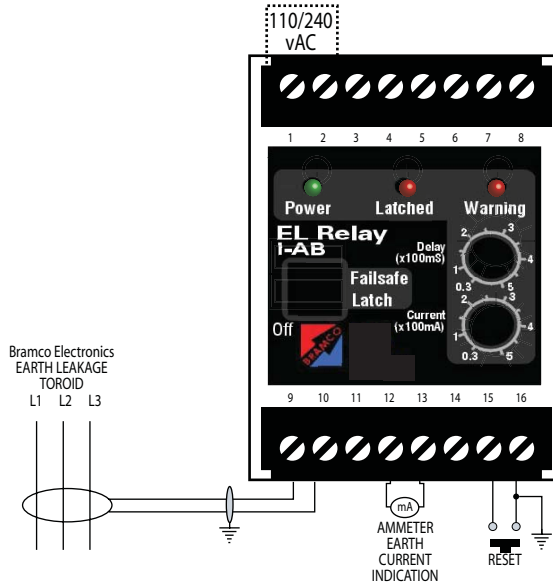
Ordering Information

A01044B - I-AB 500mA-500mS 110V AC
A01045B - I-AB 500mA-500mS 24-48V AC/DC
A01171 - I-AB 500mA 500mS 240VAC

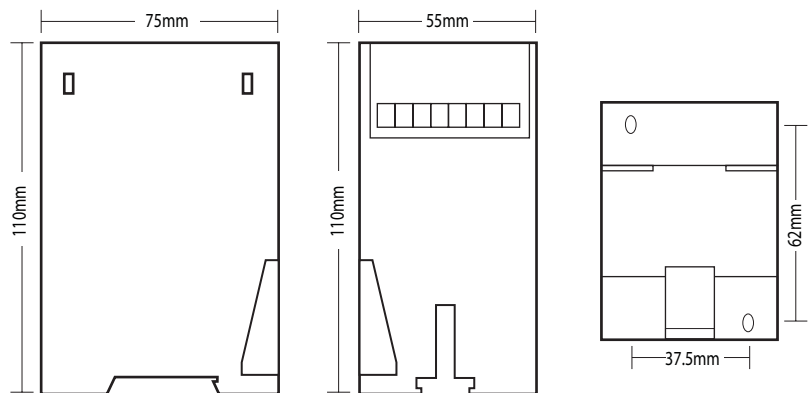




Typical Installation



Outline and Mounting Hole Dimensions



Connection Details

