



## Pump Control Module - PCM

### Application:

The Pump Control Module (PCM) provides submersible pump control. This module monitors the current used by the pump and differentiates between load and no load currents. Two modes of operation apply. Manual mode will only switch the pump off and wait for manual switch intervention for starting the pump. Automatic mode will do full control of the pump operation by switching the pump on and off based on the level switch inputs and selected pause timer.

An adaptive control algorithm is used to vary the pause and run cycle times for effective automatic pump control. Long run times will cause a short pause time. Short run times will cause long pause times.

The level control inputs are wired optional using external high and low level contacts.

### Features:

- The PCM module is DIN rail or rear panel mounted
- One CT covers four selectable ranges with 1000:1 CT supplied
- Adjustable snooze current level with LED indication of above or below snooze setting.
- Six snooze curve timing selections
- Manual mode and automatic mode selectable
- 4-20mA output for motor current monitoring with LED indication when active
- LED indications for Power, Run, Pause, Alarm
- Output relay for Run and Alarm
- High and low limit inputs for fluid level

### Easy Installation:

- Mount the PCM close to the point of connection
- Connect the voltage, CT and other I/O as recommended in the connection diagram
- Use the setup mode described in the manual to prepare the module

### Specifications:

<b>Auxiliary supply:</b>	- 110Vac 50/60Hz 3VA - 240Vac 50/60Hz 3VA - 24 - 48Vdc - 415V/440V
<b>Motor current:</b>	Range 0 : 1 – 5A Range 1 : 5 – 25A Range 2 : 25 – 100A Range 3 : 100 – 250A
<b>CT ratio:</b>	1000:1
<b>Operating temp:</b>	0 – 50° Celsius
<b>Process output:</b>	4 – 20mA into 250Ω
<b>Output relays:</b>	1A 250Vac or 1A 30Vdc (Max 100VA)
<b>Inputs:</b>	Use voltage free contacts
<b>Dimensions:</b>	100W x 75H x 110D
<b>Material:</b>	High impact resistant polycarbonate
<b>Degree of protection:</b>	IP20
<b>Mounting:</b>	DIN rail and screw mount
<b>Terminals:</b>	Cage screw terminals
<b>Weight:</b>	550gms

### ORDERING INFORMATION:

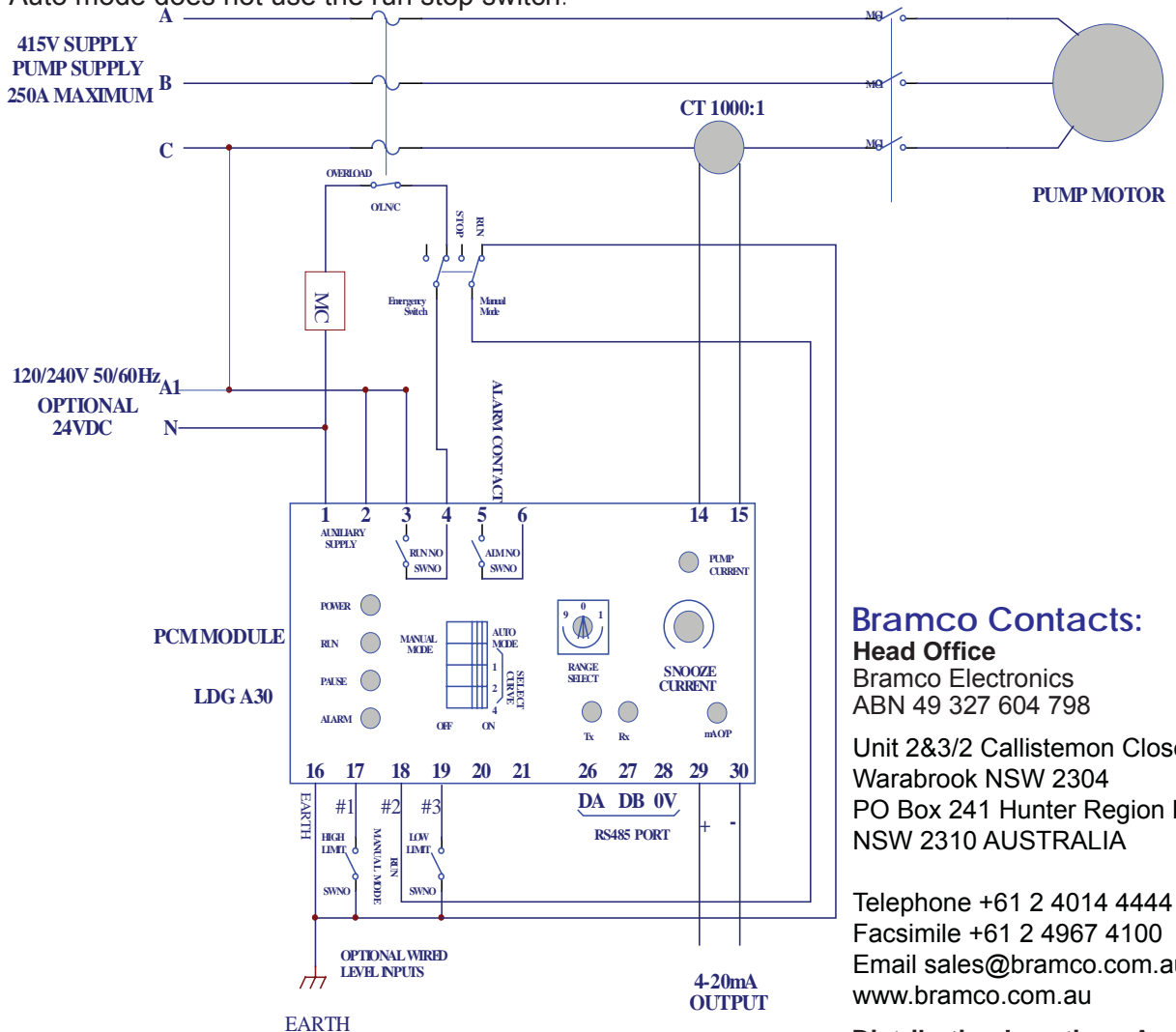
PCM module – A00960 – 110Vac  
PCM module – A00973 – 24-48Vdc  
PCM module – A01232 – 415-440V  
PCM module – A01273 – 110Vac (NO CT)



# Pump Control Module - PCM

### CONNECTION DIAGRAM:

Auto mode does not use the run stop switch.



### Bramco Contacts:

**Head Office**  
Bramco Electronics  
ABN 49 327 604 798

Unit 2&3/2 Callistemon Close  
Warabrook NSW 2304  
PO Box 241 Hunter Region MC  
NSW 2310 AUSTRALIA

Telephone +61 2 4014 4444  
Facsimile +61 2 4967 4100  
Email sales@bramco.com.au  
www.bramco.com.au

### Distribution Locations Australia:

- Newcastle NSW
- Cairns QLD
- Perth WA
- Brisbane QLD
- Emerald QLD
- Wollongong NSW

### South Africa:

- Heidelberg - Emis Sales
- Delmas - Bramco South Africa

### USA:

- Bland VA