



Phase Rotation/Loss Monitor - PRM2

Application

The Bramco Phase Rotation/Loss Monitor module provides phase rotation, phase loss of a 3 phase circuit. Suitable for Neutral referred circuits.

Features

The PRM2 is a compact, panel mounted, low power, three phase monitor device to provide phase rotation and phase loss monitoring. Separate voltage free changeover relay contacts provided for:

- PV Phases OK
- CW Phases Rotation
- CCW Phase Rotation

The three line/load phases and Earth to be monitored are connected to the module.

Suitable for system voltages:

- 415/1100vAC
- Powered from 110vAC

Remote Display LED's

- Phase Rotation CW
- Phase Rotation CCW
- Phase A, B, C

Easy Installation

- Mount the PR monitor close to the point of connection.
- Connect the 3 phase wires and the Earth wire.
- Connect the control voltage.

The PR Module is now ready to operate.

Operation

If the 3 phases are powered, the phase OK contact will close. Also either CW or CCW contact will close.

Loss of any phase will open Phase OK and Phase Rotation contacts. Phase LEDs show any phase missing.

Specifications

System Voltage
415-1100v 50/60Hz

Phase Voltage
240-700vAC

AC Voltage
2000vAC 1 minute (Ph to E)

Phase Loading to Earth
6.8 meg Ohms AC/DC

DC Voltage
2000vDC 1 minute (PH to E)

Phase Loss
~210vAC to earth

Operation Delay
Typical 3 seconds

Contacts
3x5A 240vAC 30vA change over

PRM Power Input
110vAC 50/60Hz

Operating Temperature
0-60°C

Dimensions
100 x 110 x 75mm

Material
High impact resistant polycarbonate

Mounting
DinRail and Screw mounting

Terminals
Cage screw terminals

Weight
500gm

Remote Display

Dimensions
50x51x17 (protrusion)
Diameter 22mm cutout
Depth - no restriction

Display lead length 2m

Ordering Information

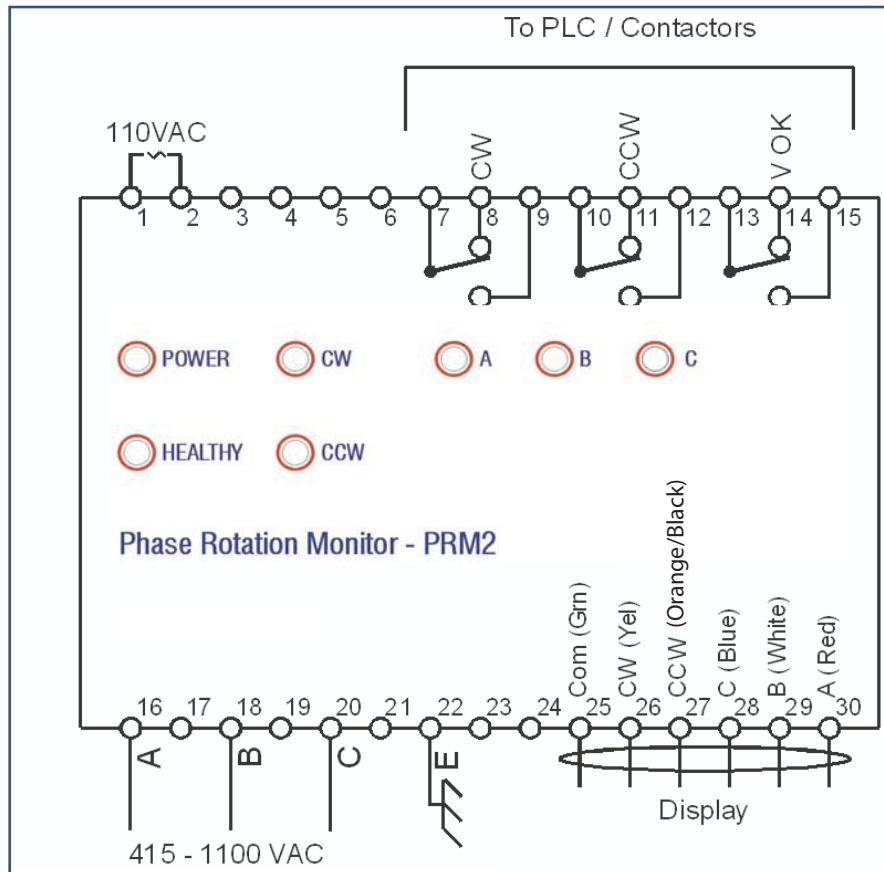
| | |
|-----------------|--------|
| PRM2 Module | A00954 |
| PRD Indicator | A00955 |
| PRM2 24-48vACDC | A01098 |

bramco

ELECTRONICS



BRAMCO ELECTRONICS Product Sheet



Head Office
 Bramco Electronics
 ABN 49 327 604 798

Unit 2&3/2 Callistemon Close
 Warabrook NSW 2304
 PO Box 241 Hunter Region MC
 NSW 2310 AUSTRALIA

Telephone +61 2 4014 4444
 Facsimile +61 2 4967 4100
 Email sales@bramco.com.au
 www.bramco.com.au

Distribution Locations Australia:

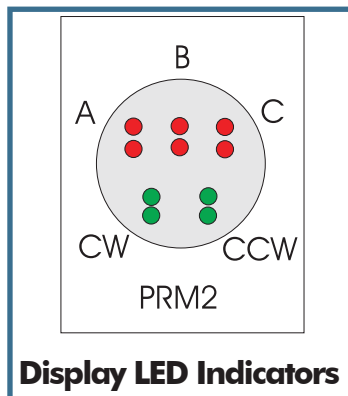
- Newcastle NSW
- Wollongong NSW
- Cairns QLD
- Brisbane QLD
- Perth WA
- Emerald QLD

South Africa:

- Heidelberg - Emis Sales
- Delmas - Bramco South Africa

USA:

- Bland VA



BRAMCO
 ELECTRONICS

ABN 49 327 604 798
 PO Box 241
 Hunter Region MC
 www.bramco.com.au

© Copyright Bramco Electronics
 Specifications subject to change without notice October 2011