



Frequency Current Converter Relay

Application

The Bramco Frequency Current Converter Relay is designed to convert an input frequency from a Namur proximity sensor (located in a hazardous area) into a 4-20mA current signal. The Namur proximity sensor may be located in a hazardous area if connected via a 2 channel I.S. Zener Barrier.

Features

- Manual scaling accommodates a maximum input pulse frequency over the range of 0.5-700Hz at 20mA output
- Scaling settings are made with rotary switches located on the front panel
- The minimum input pulse frequency depends on the scaling Hz
- The analog output provides a 4-20mA signal that is proportional to the frequency of the input
- Namur proximity sensor Open and Short condition is monitored
- Loss of 4mA offset is used as proximity sensor fault flag
- Manual adjustment of 4mA and 20mA. These are factory set.
- Current output filter time constant is also adjustable
- Status LEDs:
 - Power On
 - Sensor Pulsing
 - Sensor Open
 - Sensor Short
 - Process Output
- DinRail or foot mounting
- AC or DC powered optional
- Module input can accommodate 2 wire Namur and 3 wire 30v open collector proximity sensor

Specifications

Pulse Frequency Maximum - 700Hz

Pulse Frequency Minimum - 0.5Hz

Pulse Frequency Range - 0.5 - 700Hz

Current Output

4-20mA into 400 Ohms maximum

Power Input

24vDC 1W

Operating Temperature

0-50°C

Enclosure

- 75mmW x 55H x 110D
- High impact resistant polycarbonate construction
- DinRail and screw mounting
- Cage screw terminals
- Weighs 300gms

Bramco Contacts

Head Office

Bramco Electronics Pty Limited
ABN 49 327 604 798

Unit 2&3/2 Callistemon Close
Warabrook NSW 2304
PO Box 241 Hunter Region MC
NSW 2310 AUSTRALIA

Telephone +61 2 4014 4444
Facsimile +61 2 4967 4100
Email sales@bramco.com.au

Distribution Locations Australia:

- Newcastle NSW
- Wollongong NSW
- Cairns QLD
- Brisbane QLD
- Perth WA
- Emerald QLD

South Africa:

- Heidelberg - Emis Sales
- Delmas - Bramco South Africa

USA:

- Bland VA

bramco

ELECTRONICS



Ordering Information

A00772 24vDC

External I.S. Barrier is required for connection of Namur Sensor in a hazardous area.

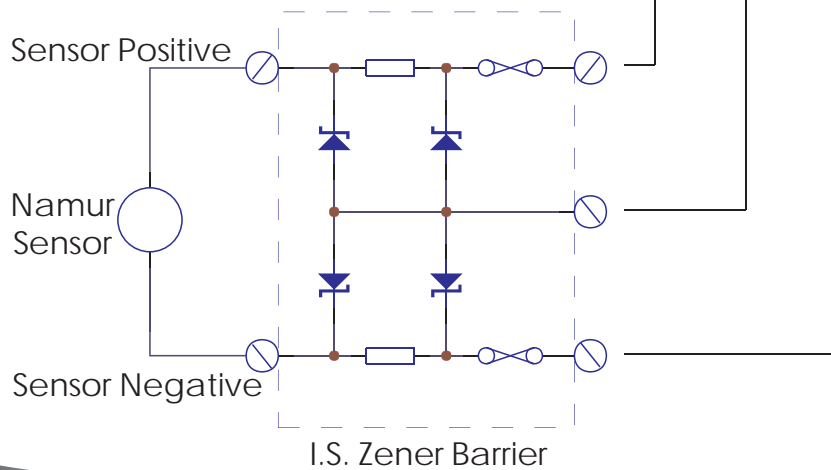
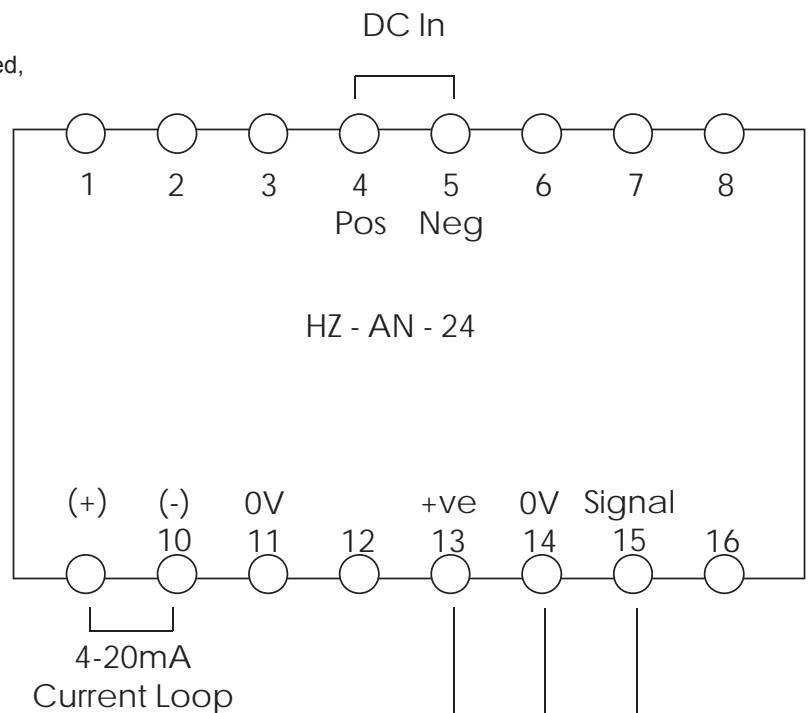
Zener Barrier

2 Channel 15v 100 Ohms Zener Resistor
Z965-Ex MTL965

Please contact Bramco Sales for your specific needs.

BRAMCO ELECTRONICS Product Sheet

The Frequency Current Converter Relay is designed, manufactured and repaired by an ISO9001:2000 certified company



BRAMCO
ELECTRONICS

ABN 49 327 604 798
PO Box 241
Hunter Region MC
www.bramco.com.au

© Copyright Bramco Electronics
Specifications subject to change without notice October 2011