



Live Line Indicator LLi

Application

The Bramco Live Line Indicator (LLi) provides a visual display of the status of each phase of a 3 phase AC load circuit.

Features:

The LLi is a compact, panel mounted, low power, three phase monitor device to provide visual indication of load phases being present.

The three load phases and Earth are connected to the LLi.

The LLi Remote Display Indicator is mounted on the door panel and plugs into the matching socket on the LLi (Display is 22.5mm in diameter).

Normal:

- No AC - three phase LEDs should be Off.
- AC On - the three phase LEDs will be On.
- If any or all the LEDs are On, the circuit is alive.

Fault:

- If any or all of the three phase LEDs are On, indicates a load phase not isolated.

LEDs for:

- Phase A U
- Phase B V
- PHase C W

Easy Installation:

Mount the LLi close to the point of connection. Connect the 3 phase wires and the Earth Wire.

Fit the LLi Remote Display into 22.5mm hole provided on the panel fascia. Plug the 4 way connector from the display into the 4 way socket on the LLi.

The LLi is now ready to operate.

Specifications

System Voltage - 660-1100v 50/60Hz or
- 380-480v 50/60Hz

Phase Voltage - 240-700vAC

AC Voltage - 2000vAC 1 minute (PH to E)

Phase Loading to Earth - 100k Ohms at 50Hz

DC Voltage - 3500vDC 1 minute (Ph to E)

Phase Loading to Earth - 20M Ohms at DC

Operating Temperature - 0 - 50°C

Enclosure LLi Module

- 70W x 155L x 55H
- Encapsulated Polycarbonate construction
- 4 x 140mm x 50mm pitch x dia 4.5mm
- 3 x phase and earth flexible wires out one end, 1m long each
- Remote Display Socket, 4 way phoenix

Enclosure Remote Display

- Panel cutout 22.5mm diameter
- Bezel 30mm diameter x 20mm projection
- Depth 50mm excluding 4 wires
- Connection to module through 1m x 4 cores wired into 4 way phoenix plug
- Weighs 80gms

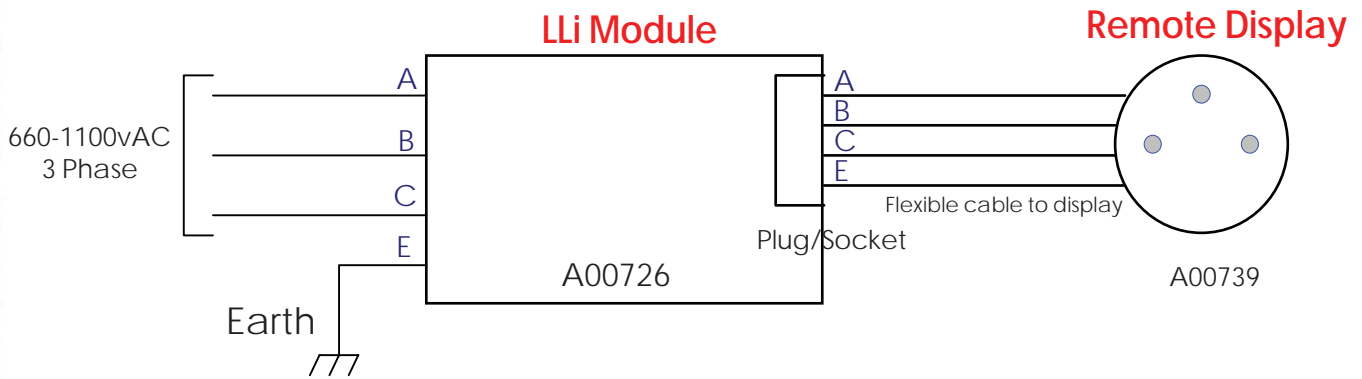


Live Line Indicator LLi

Ordering Information

A00726	LLi Module 660-1100vAC
A01361	LLi Module 380-480vAC
A00739	LLi Remote Display

BRAMCO ELECTRONICS Product Sheet



Bramco Contacts

Head Office

Bramco Electronics
ABN 49 327 604 798

Unit 2&3/2 Callistemon Close
Warabrook NSW 2304
PO Box 241 Hunter Region MC
NSW 2310 AUSTRALIA

Telephone +61 2 4014 4444
Facsimile +61 2 4967 4100
Email sales@bramco.com.au
www.bramco.com.au

Distribution Locations Australia:

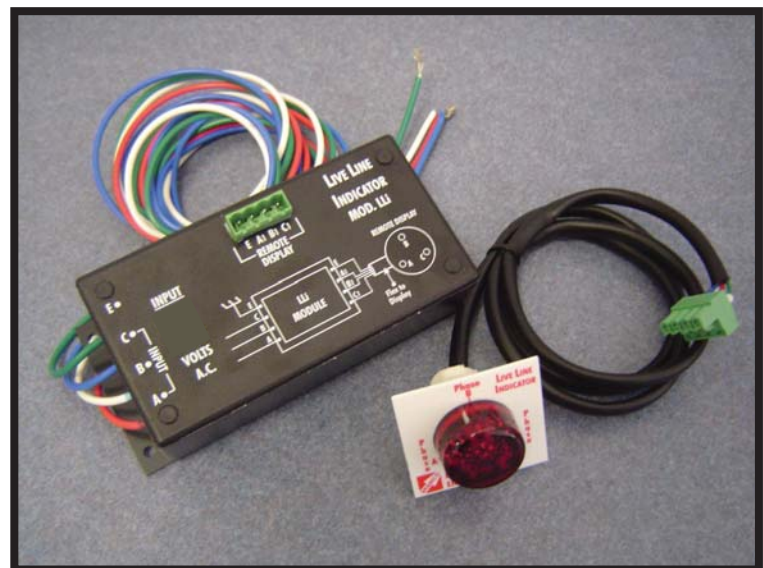
- | | |
|-----------------|------------------|
| ■ Newcastle NSW | ■ Wollongong NSW |
| ■ Cairns QLD | ■ Brisbane QLD |
| ■ Perth WA | ■ Emerald QLD |

South Africa:

- Heidelberg - Emis Sales
- Delmas - Bramco South Africa

USA:

- Bland VA



BRAMCO
ELECTRONICS

ABN 49 327 604 798
PO Box 241
Hunter Region MC
www.bramco.com.au

© Copyright Bramco Electronics
Specifications subject to change without notice July 2011