



Earth Leakage Relay Model i-AB

Application

The Bramco Electronics Earth Leakage Relay i-AB, has been designed to detect Earth Fault Currents flowing in a power system.

The i-AB Offers:

- Machine or power operated
- Latching/non-latching mode switch
- Fail safe or non-fail safe operation
- Adjustable time discrimination
- Adjustable trip current point
- LED indication of power on
- LED warning when the leakage current rises above the trip current set point
- LED indication when latched
- Current loop or voltage output 4-20mA or 2-10V
- Use with range of Bramco Earth Leakage toroids.

Specifications

Supply

- 110VAC 50/60Hz Standard
- 240VAC 50/60Hz Optional
- 24VAC or DC 50/60Hz Optional
- 48VDC 50/60Hz Optional

Housing

- High impact Poly Carbonate

Voltage Tolerances

- -30% to +20%

Trip Current

Adjustable from 50 to 500mA
Optional 1A, 2A and 5Amp

Trip Delay

Adjustable from 30 to 500ms
Optional 1secs, 2secs and 5secs

Bramco Contacts

Head Office

Bramco Electronics
ABN 49 327 604 798

Unit 2&3/2 Callistemon Close
Warabrook NSW 2304
PO Box 241 Hunter Region MC
NSW 2310 AUSTRALIA

Telephone +61 2 4014 4444
Facsimile +61 2 4967 4100
Email sales@bramco.com.au

Distributor Locations Australia:

- Newcastle NSW
- Wollongong NSW
- Cairns QLD
- Brisbane QLD
- Perth WA
- Cumberland Park, SA

South Africa:

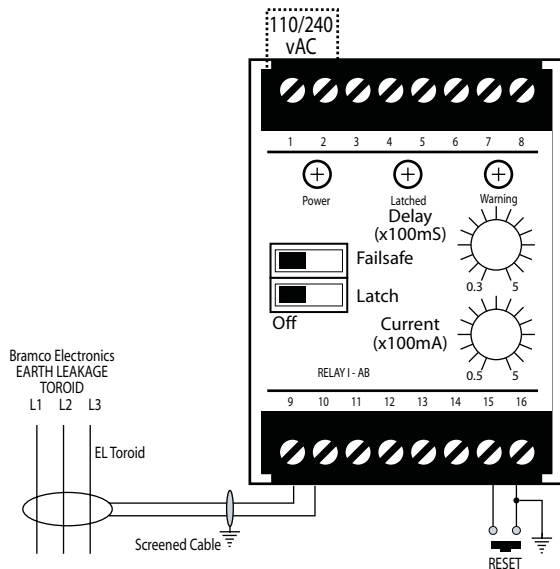
- Heidelberg
- Demas

USA:

- Bland, VA



Typical Installation



Ordering Information

There are a variety of different Part Numbers for the i-AB Relay. Please contact Bramco to discuss your requirements.

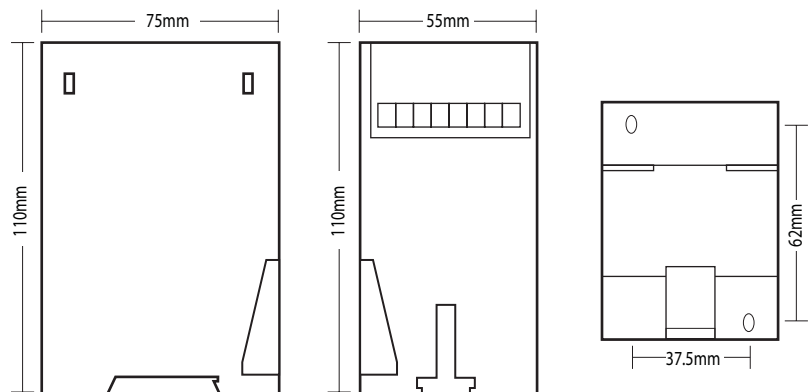
- A00019A 500mA-500ms 110vAC
- A00937A 500mA-500ms 240vAC
- A00008A 500mA-500ms 24-48vAC/DC
- A00270A 500mA-500ms 110VAC 4-20mA Output

- A00571 100mA-100ms 110V
- A00572 100mA-100ms 24v
- A00752 30mA-100ms 110v (Non adjustable Trip)

Approvals/Conformances

N.S.W Mines MDA EXib 11317
 QLD Mines QMD 947346X
 AS 2081:2002.3-1988 Compliant
 (both approvals for 500mA/500mSec only)

Outline and Mounting Hole Dimensions



Connection Details

