

Lanyard Bracket - Pigtail:

Lanyard Brackets/Pigtails supplied by Bramco Electronics are constructed from non abrasive "Impact Modified Polymer" combined with galvanised bolt and fasteners.

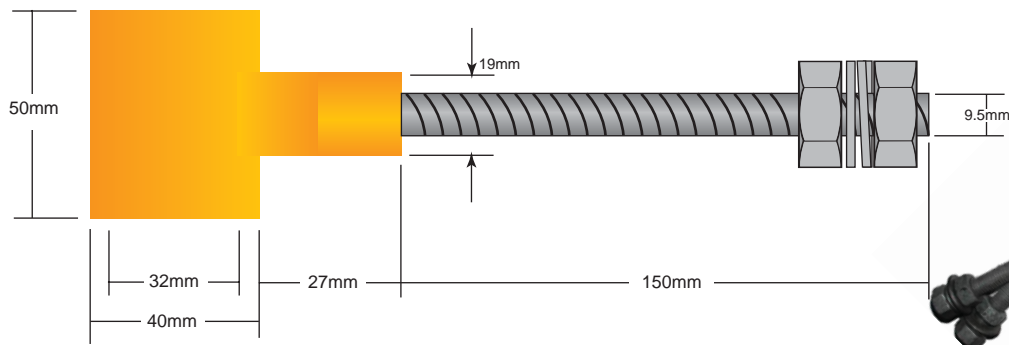
Product Description (H6105JU):

EL-Lene H6105JU is a high density polyethylene with UV resistance suitable for industrial applications. Good Stiffness and impact resistance with a wide service temperature range. - SCG Plastics Company Limited.

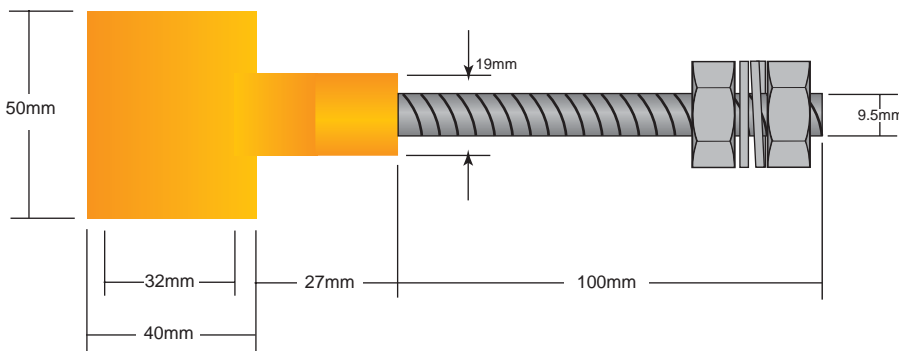
UV Characteristics:

Supported by Sydage Plastic Products, the expected UV life span is in excess of 10 years.

H70235



H70236



Supplied complete with:

- 1 x Lanyard Bracket
- 1 x M10 Spring Washer
- 1 x M10 Washer
- 2 x M10 Nut
- (All Galvanised)

Bramco Contacts:

Head Office
Bramco Electronics
ABN 49 327 604 798

2 Callistemon Close
Warabrook NSW 2304
PO Box 241 Hunter Region MC
NSW 2310 AUSTRALIA

Telephone +61 2 4014 4444
Facsimile +61 2 4967 4100
Email sales@bramco.com.au

Ordering Options:

- H70235 - PIGTAIL - GAL 150mm LANYARD BRACKET
- H70236 - PIGTAIL - GAL 100mm LANYARD BRACKET