

Fascia Earth Leakage Relay

Leaders in Innovative Protection Systems, Bramco's fel3 is compliant to latest Australian standards. Utilising microprocessor technology fel3 provides next generation EL protection to latest VVVF drives.

Earth Leakage Features:

- 16 bit microprocessor core.
- 50-60Hz (VSD mode off).
- 5-100Hz (VSD mode on).
- Failsafe/Non-Failsafe operation.
- Latch/No Latch operation.
- EL Toroid open monitoring.
- Adjustable Trip Current.
- Adjustable Trip Delay Time.
- Status Leds for -
 - Trip, Warning, Frequency
 - Power/Open circuit toroid.
- Local/External EL latch reset.
- May be used on limited/unlimited neutral systems with matching Bramco ELT. (1000:T)
- Separate control contacts are provided.
- Analog Output: 4-20mA, 2-10V

Specifications:

Power Supply:

24-48V AC(50-60Hz)/DC 2VA.
110-240V AC(50-60Hz)/DC 2VA.

Earth Leakage

Current: 30mA - 20A
Trip Delay Time: 50ms - 20s

Various Current and Time ranges available:
See ordering options below.

Relay Contacts: 5A 240VAC (General)
5A 30VDC (Resistive)
(100VA Max)

Specifications cont.:

Operating Temp:	0 - 60°C
Enclosure Dimensions:	75W x 75H x 110D.
Panel Opening:	68mm x 68mm.
Material:	High impact resistant polycarbonate construction.
Mounting:	Fascia
Terminals:	Pheonix plugs provided.
Weight:	150g.

Ordering Options:

A01320	fel3	110-240VAC/DC	30-500mA	50-500mS
A01321	fel3	24-48VAC/DC	30-500mA	50-500mS
A01322	fel3	110-240VAC/DC	30mA-2A	50mS-20S
A01323	fel3	24-48VAC/DC	30mA-2A	50mS-20S



Fascia Earth Leakage Relay

Compliance:

AS/NZS2081.3 - 2002:

- Electrical Equipment for Coal and Shale Mines.
- Electrical Protection Devices.

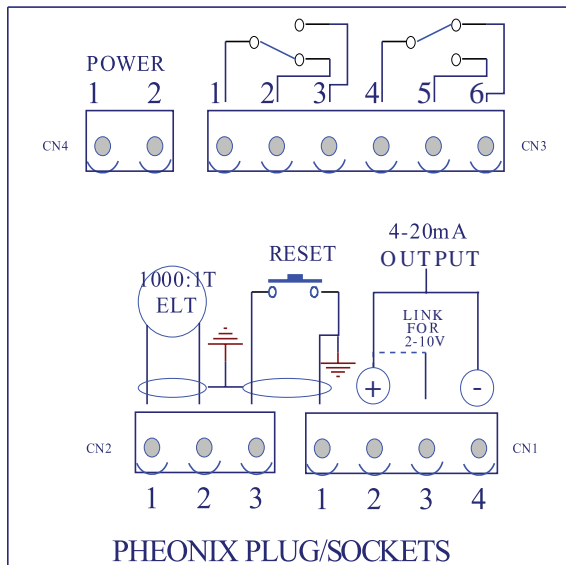
AS/NZS2081 - 2011: (Pending)

Ordering Options:

A01334	Toroid (1000:1) 40mm
A01335	Toroid (1000:1) 72mm
A01336	Toroid (1000:1) 130mm
A01337	Toroid (1000:1) 200mm
A01338	Toroid (1000:1) 300mm



Connection Diagram:



fel3 REAR VIEW

Bramco Contacts:

Head Office

Bramco Electronics

ABN 49 327 604 798

2 Callistemon Close
 Warabrook NSW 2304
 PO Box 241 Hunter Region MC
 NSW 2310 AUSTRALIA

Telephone +61 2 4014 4444

Facsimile +61 2 4967 4100

Email sales@bramco.com.au

Distributor Locations Australia:

- Newcastle NSW
- Wollongong NSW
- Cairns QLD
- Brisbane QLD
- Perth WA
- Emerald QLD

South Africa:

- Heidelberg
- Delmas

USA:

- Bland, VA

