

## bar3 Isolation Barrier

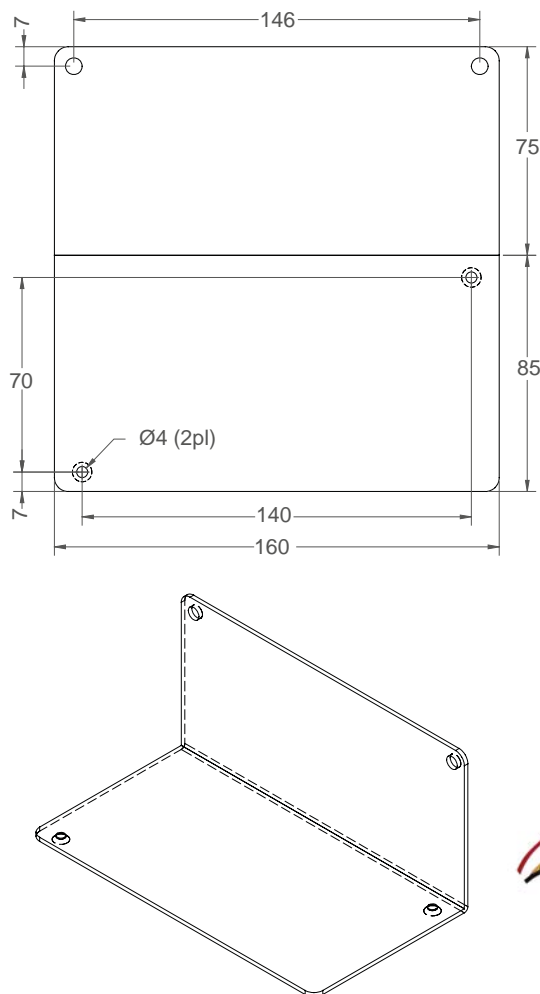
### Application

Leaders in Innovative Protection Systems, Bramco's Latest 1100V and 4160V Isolation barriers are compliant with all relevant statutory and industry standards. The bar3 is a three phase unit designed to isolate high voltages from detection equipment.

### Specifications

- 415 - 1100 volt input
- 3300 - 4160 volt input
- 24 volt AC output
- Supplied complete with mounting bracket.

### Dimensions



### Ordering Information

A01180 - bar3 Isolation Barrier 415-1100V  
A01246 - bar3 Isolation Barrier 3300-4160V

Please contact Bramco or your local Distributor for your specific needs.

The bar3 comes with a minimum 2 year warranty.

### Bramco Contacts

Head Office  
Bramco Electronics  
ABN 49 327 604 798

2 Callistemon Close  
Warabrook NSW 2304  
PO Box 241 Hunter Region MC  
NSW 2310 AUSTRALIA  
Telephone +61 2 4014 4444  
Facsimile +61 2 4967 4100  
Email sales@bramco.com.au

